

HRAP-144H 525-550M10

21.3%
Maximum Module Efficiency

550W
Maximum Power Output

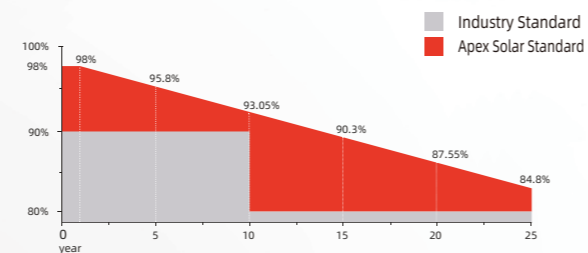
Power Sorting Tolerance: 0~+3W

2279×1134×35mm
Module Dimensions

IEC 61215 / IEC 61730
Fire safety class: Class C according to UL790
ISO 9001 :Quality Management System
ISO 14001 :Environment Management



Industry Leading Linear Power Warranty
12-year Warranty for Materials and Processing . 25-year Warranty for Extra Linear Power Output



12 YEARS Process Warranty **25 YEARS** Power Warranty

ELECTRICAL PARAMETERS AT STC

	525	530	535	540	545	550
Rated Maximum Power(Pmax) [W]	525	530	535	540	545	550
Maximum Power Voltage(Vmp) [V]	41.15	41.31	41.47	41.64	41.80	41.96
Maximum Power Current(Impp) [A]	12.76	12.83	12.90	12.97	13.04	13.11
Open Circuit Voltage(Voc) [V]	49.15	49.30	49.45	49.60	49.75	49.90
Short Circuit Current(Isc) [A]	13.65	13.72	13.79	13.86	13.93	14.00
Module Efficiency [%]	20.3	20.5	20.7	20.9	21.1	21.3

STC: Irradiance 1000 W/m² module temperature 25°C AM=1.5

ELECTRICAL PARAMETERS AT NMOT

	397	401	405	408	412	416
Rated Maximum Power(Pmax)[W]	397	401	405	408	412	416
Maximum Power Voltage(Vmp) [V]	38.36	38.57	38.78	38.99	39.20	39.43
Maximum Power Current(Impp) [A]	10.35	10.39	10.43	10.47	10.51	10.55
Open Circuit Voltage(Voc) [V]	46.05	46.18	46.31	46.43	46.55	46.68
Short Circuit Current(Isc) [A]	10.97	11.01	11.05	11.09	11.13	11.17

NMOT: Irradiance 800 W/m² ambient temperature 20°C wind speed: 1m/s

MECHANICAL SPECIFICATION

Cell Type	Monocrystalline
Cell Dimensions	182×182mm
Cell Arrangement	144(6×24)
Weight	29.0kg
Module Dimensions	2279×1134×35mm
Cable	4.0 mm ² positive/negative:1000mm,length Can be customized
Front Glass	3.2 mm high transmittance,AR coating tempered glass
Frame	Anodized aluminium alloy
Junction Box	Protection class Ip68
Type of Connector	MC4: PV-XT101.1 (Suzhou Xtong Photovoltaic Technology Co., Ltd)
Mechanical Load	Front side 5400Pa/Rear side 2400Pa

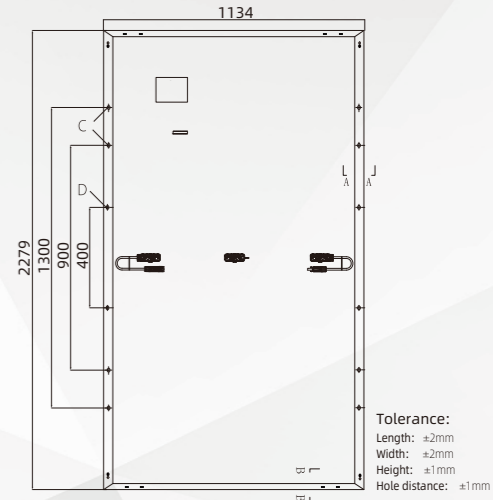
OPERATING CONDITIONS

Maximum System Voltage (V)	1500VDC
Pmax Temperature Coefficient	-0.34%/°C
Voc Temperature Coefficient	-0.28%/°C
ISC Temperature Coefficient	+0.05%/°C
Nominal Operating Cell Temperature	45±2°C
Operating Temperature	- 40°C +85°C
Maximum Series Fuse	25A

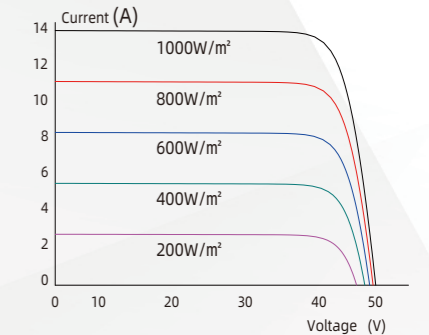
PACKING CONFIGURATION

Quantity/Pallet	31 pcs/pallet
Quantity/Container	620pcs/40HQ

Module Dimension(mm)



Current-Voltage Curve (550W)



Power-Voltage Curve (550W)

